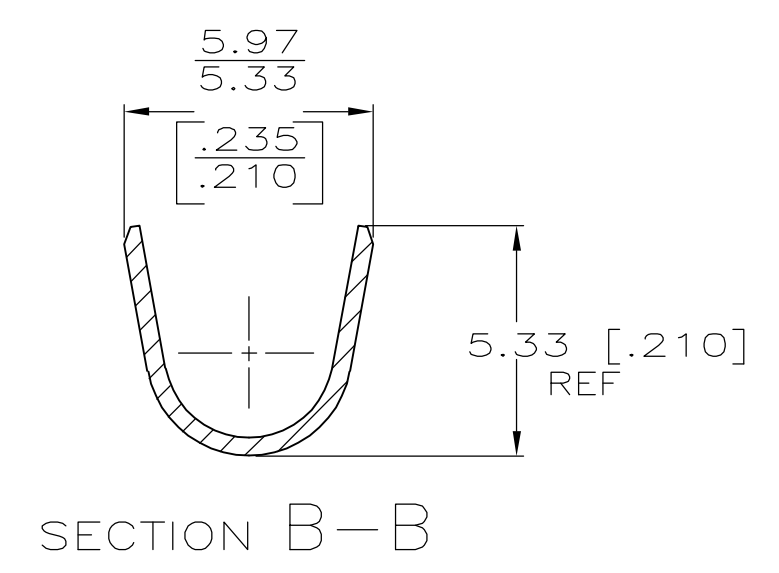
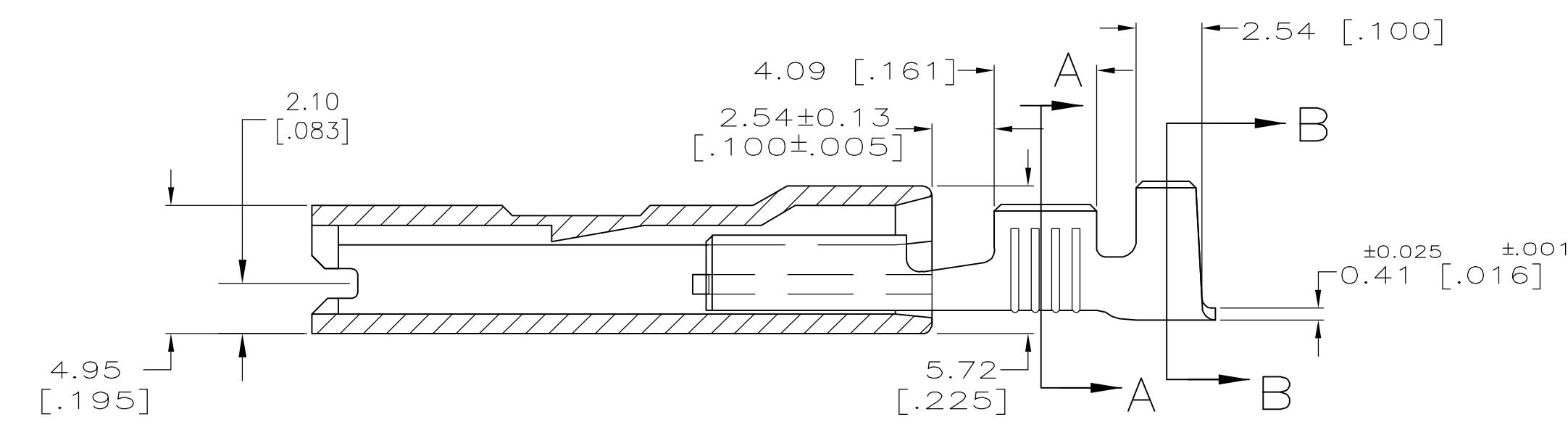
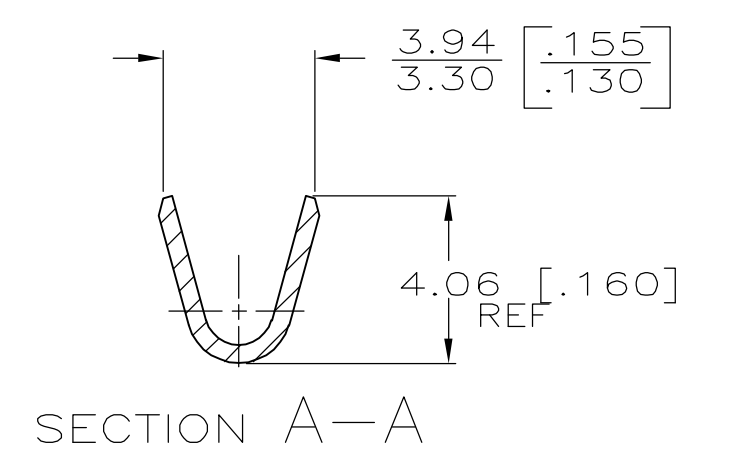
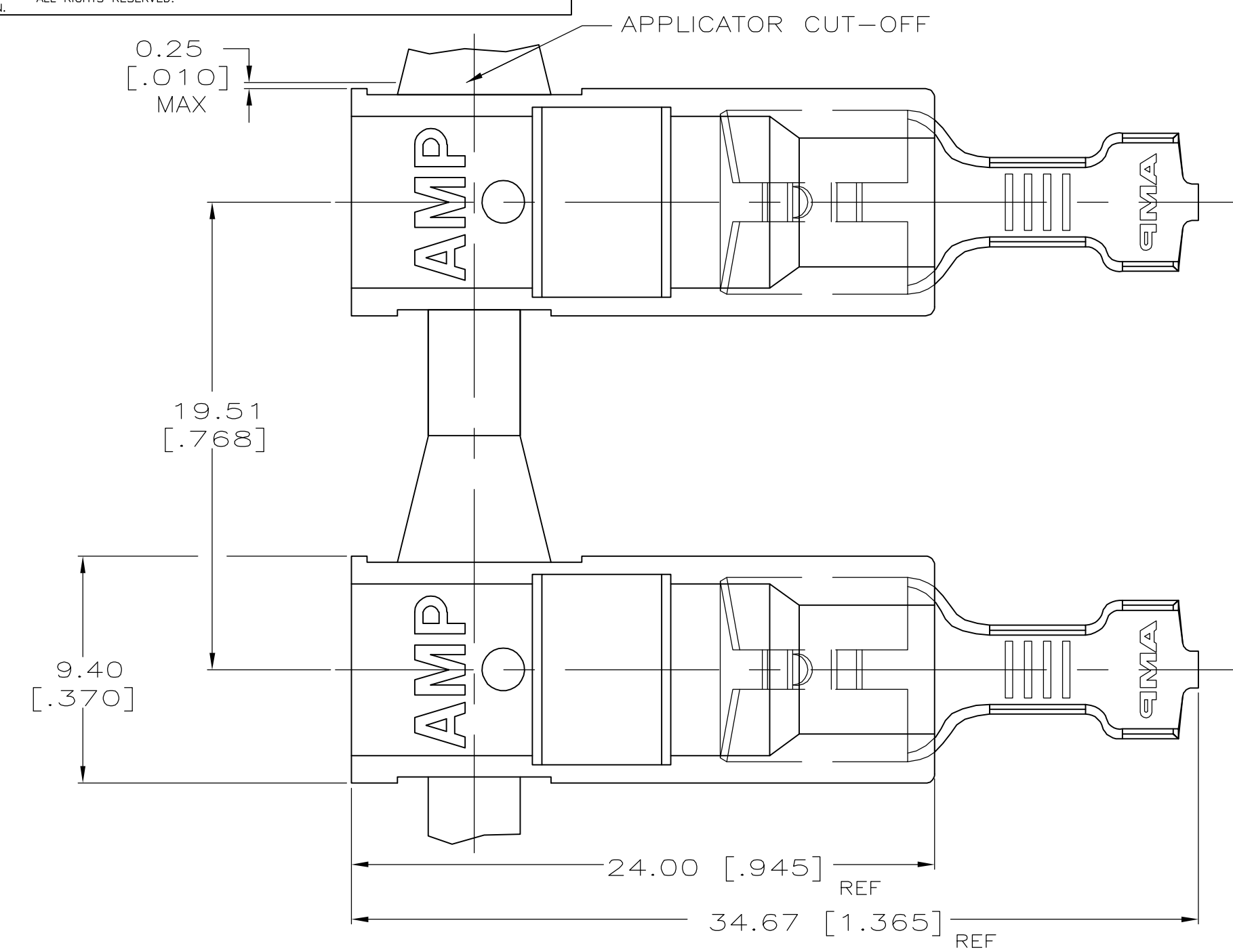


LOC	DIST	REVISIONS					
AF	50	P	LTR	DESCRIPTION	DATE	DWN	APVD
		K1		REVISED PER ECR-06-000467	23MAY06	HMR	GP



- 1 PREMIER FASTON TERMINALS, BASE P/N 42219 ARE USED FOR -1. LOW-INSERTION FASTONS, BASE P/N 63306 ARE USE FOR -2.
- 2 NICKEL PLATE 0.00381 [.000150] MIN
- 3 TIN PLATE 0.002032 [.000080] MIN.
- 4 MATERIAL: HOUSING - 4/6 NYLON (150°C)
TERMINAL - SEE TABLE
- 5 FINISH: HOUSING - COLOR, BLACK
TERMINAL - SEE TABLE

OBSOLETE	BULK	#4M HD BRASS	3 TIN	2.79-4.32 [.110-.170] DIA	0.8-2.0 mm ² [18-14]	0.813 [.032]	5-521011-2
OBSOLETE	BULK	#2 HD STEEL	2 NICKEL				5-521011-1
	STANDARD	#4M HD BRASS	3 TIN	INSULATION RANGE	WIRE SIZE	MATING TAB THK ±0.025 [±.001]	521011-2
	STANDARD	#2 HD STEEL	2 NICKEL				521011-1
	PACKAGING	TERMINAL MATERIAL	TERMINAL FINISH				PART NO.

THIS DRAWING IS A CONTROLLED DOCUMENT.

DIMENSIONS: mm [INCHES]	TOLERANCES UNLESS OTHERWISE SPECIFIED:	DWN JR RUTH 12/7/92	Tyco Electronics Corporation Harrisburg, PA 17105-3608
	0 PLC ± - 1 PLC ± - 2 PLC ± - 3 PLC ± 0.25 [.010] 4 PLC ± - ± - ANGLES ± - ± - FINISH	CHK MS FEHER 12/7/92 APVD V KARABCIJEVSKY 12/7/92 PRODUCT SPEC 108-1285 APPLICATION SPEC 114-2124	
MATERIAL		NAME ASSEMBLY, ULTRA-POD, RECEPTACLE, 6.35 [.250] SERIES SIZE CAGE CODE DRAWING NO RESTRICTED TO A2 00779 C-521011 -	
		WEIGHT - CUSTOMER DRAWING	SCALE 5:1 SHEET 1 of 1 REV K1